

POG10 DN 1024 I

Solid shaft with EURO flange B10, 1024 pulses per revolution

Article number: 11042716

Overview

- HTL output driver for cable length up to 350 m
- Very high resistance to shock and vibrations
- Double-side bearing for extended service life
- Big terminal boxes, turn by 180°



Technical data

Technical data - electrical ratings

| | |
|-----------------------|-----------------------------|
| Voltage supply | 9...30 VDC |
| Consumption w/o load | ≤100 mA |
| Pulses per revolution | 1024 |
| Phase shift | 90 ° ±20° |
| Duty cycle | 40...60 % |
| Reference signal | Zero pulse, width 90° |
| Sensing method | Optical |
| Output frequency | ≤120 kHz |
| Output signals | K1, K2, K0 + inverted |
| Output stages | HTL-P (power linedriver) |
| Interference immunity | EN 61000-6-2 |
| Emitted interference | EN 61000-6-3 |
| Approval | CE UL approval / E217823 |

Technical data - mechanical design

| | |
|---------------|--------------------|
| Size (flange) | ø115 mm |
| Shaft type | ø11 mm solid shaft |

Technical data - mechanical design

| | |
|-------------------------|--|
| Admitted shaft load | ≤300 N axial ≤450 N radial |
| Flange | EURO flange B10 |
| Protection EN 60529 | IP 66 |
| Operating speed | ≤12000 rpm (mechanical) |
| Operating torque typ. | 2 Ncm |
| Rotor moment of inertia | 212 gcm ² |
| Material | Housing: aluminium die-cast Shaft: stainless steel |
| Operating temperature | -40...+100 °C |
| Resistance | IEC 60068-2-6 Vibration 20 g, 10-2000 Hz IEC 60068-2-27 Shock 200 g, 6 ms |
| Corrosion protection | IEC 60068-2-52 Salt mist for ambient conditions C4 according to ISO 12944-2 |
| Connection | Terminal box |
| Weight approx. | 1.9 kg |

POG10 DN 1024 I

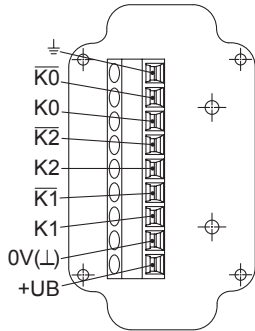
Solid shaft with EURO flange B10, 1024 pulses per revolution

Article number: 11042716

Terminal assignment

View A (see dimension)

Connecting terminal terminal box, radial



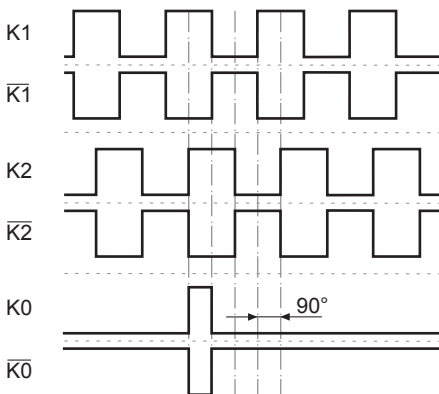
Terminal significance

| | |
|-----------------|--|
| +UB | Voltage supply |
| 0V (L) | Ground |
| ⊥ | Earth ground (housing) |
| K1 | Output signal channel 1 |
| $\overline{K1}$ | Output signal channel 1 inverted |
| K2 | Output signal channel 2 (offset by 90° to channel 1) |
| $\overline{K2}$ | Output signal channel 2 inverted |
| K0 | Zero pulse (reference signal) |
| $\overline{K0}$ | Zero pulse inverted |
| dnu | Do not use |

Output signals

HTL/TTL

At positive rotating direction (see dimension)

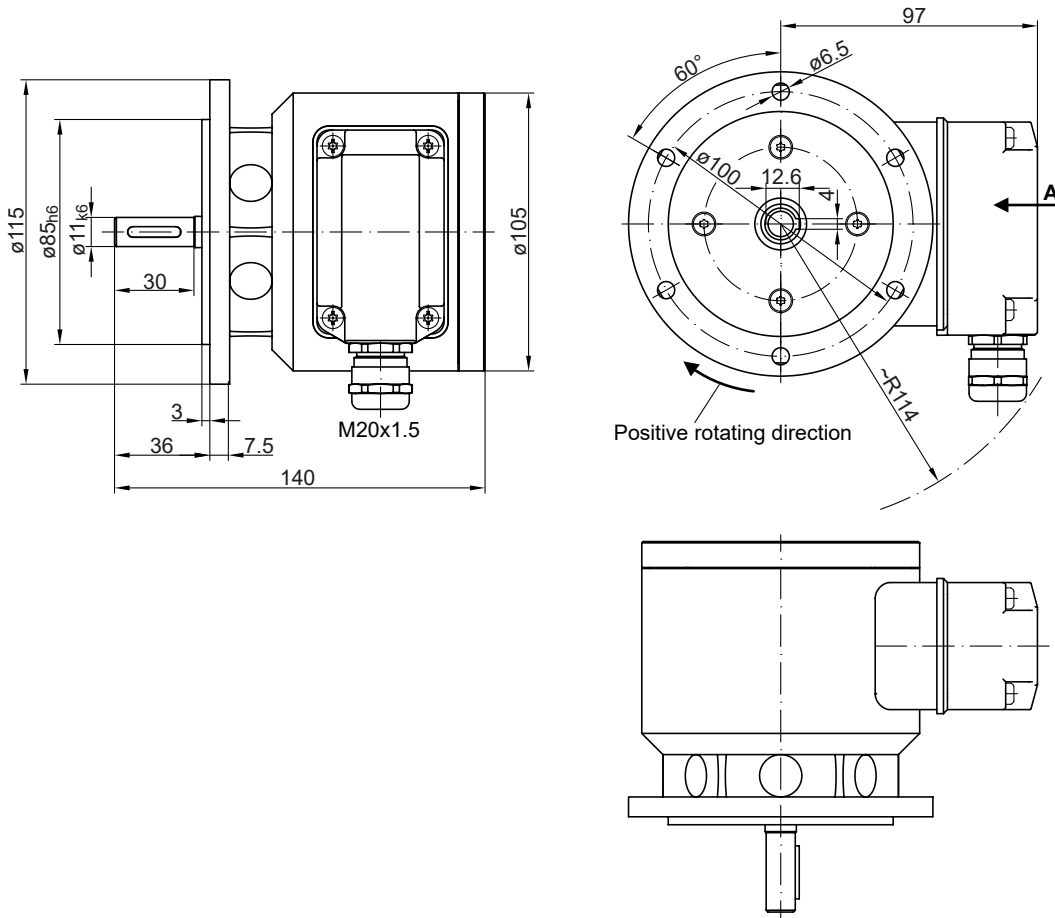


POG10 DN 1024 I

Solid shaft with EURO flange B10, 1024 pulses per revolution

Article number: 11042716

Dimensions



POG10 DN 1024 I

Solid shaft with EURO flange B10, 1024 pulses per revolution

Article number: 11042716

Accessories

Mounting accessories

Spring disk coupling K 35 (shaft \varnothing 6...12 mm)

Spring disk coupling K 50 (shaft \varnothing 11...16 mm)

Spring disk coupling K 60 (shaft \varnothing 11...22 mm)