

OG 90

Solid shaft with EURO flange B10

1024...10000 pulses per revolution

Overview

- Encoder with solid shaft $\varnothing 11$ mm
- Optical sensing method
- EURO flange B10
- Output stage HTL with power linedriver
- Output stage TTL with regulator UB 9...26 VDC



Technical data

Technical data - electrical ratings

Voltage supply	9...26 VDC 5 VDC ± 5 %
Consumption w/o load	≤ 100 mA
Pulses per revolution	1024 ... 10000
Phase shift	$90^\circ \pm 20^\circ$
Duty cycle	40...60 %
Reference signal	Zero pulse, width 90°
Sensing method	Optical
Output frequency	≤ 250 kHz
Output signals	K1, K2, K0 + inverted
Output stages	HTL TTL/RS422
Interference immunity	EN 61000-6-2
Emitted interference	EN 61000-6-3
Approval	CE UL approval / E217823

Technical data - mechanical design

Size (flange)	$\varnothing 115$ mm
Shaft type	$\varnothing 11$ mm solid shaft
Admitted shaft load	≤ 80 N axial ≤ 100 N radial

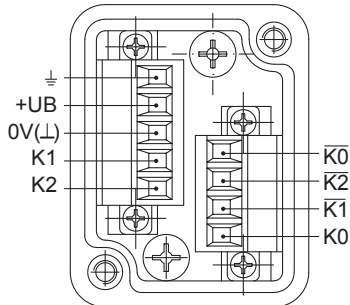
Technical data - mechanical design

Flange	EURO flange B10
Protection EN 60529	IP 55
Operating speed	≤ 12000 rpm (mechanical)
Operating torque typ.	1 Ncm
Rotor moment of inertia	40 gcm ²
Material	Housing: aluminium die-cast Shaft: stainless steel
Operating temperature	$-30...+85^\circ\text{C}$
Resistance	IEC 60068-2-6 Vibration 10 g, 10-2000 Hz IEC 60068-2-27 Shock 100 g, 1 ms
Corrosion protection	IEC 60068-2-52 Salt mist for ambient conditions C4 according to ISO 12944-2
Explosion protection	II 3 G Ex ec IIC T4 Gc (gas) II 3 D Ex tc IIIB T135°C Dc (dust) (only with option ATEX)
Connection	Terminal box
Weight approx.	1.5 kg

Terminal assignment

View A (see dimension)

Connecting terminal terminal box



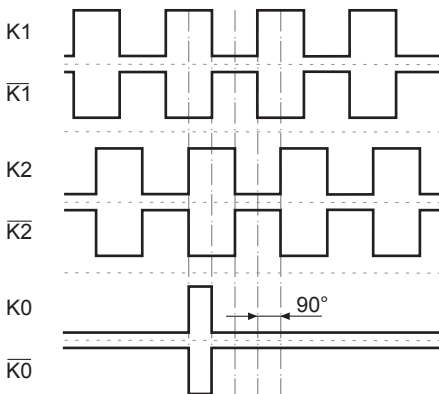
Terminal significance

+UB	Voltage supply
0V (L)	Ground
⊥	Earth ground (housing)
K1	Output signal channel 1
$\overline{K1}$	Output signal channel 1 inverted
K2	Output signal channel 2 (offset by 90° to channel 1)
$\overline{K2}$	Output signal channel 2 inverted
K0	Zero pulse (reference signal)
$\overline{K0}$	Zero pulse inverted

Output signals

HTL/TTL

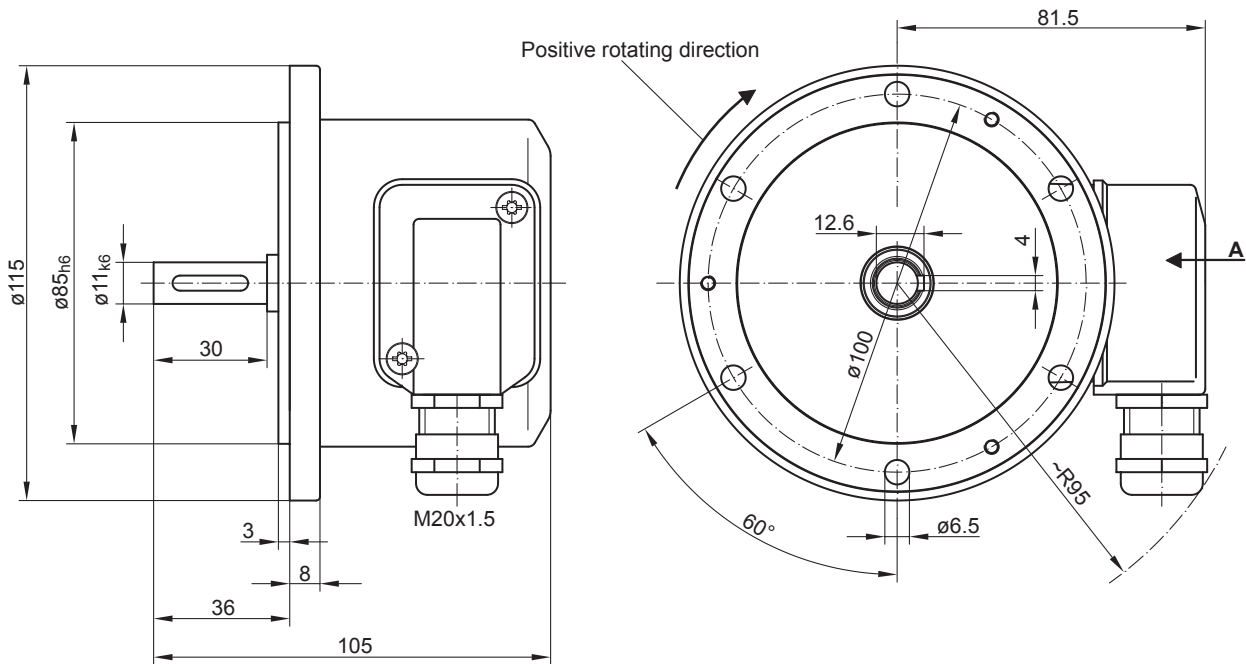
At positive rotating direction (see dimension)



OG 90

Solid shaft with EURO flange B10
1024...10000 pulses per revolution

Dimensions



OG 90

Solid shaft with EURO flange B10
 1024...10000 pulses per revolution

Ordering reference

	OG90	DN	####	###
Product				
Incremental encoder	OG90			
Output signals				
K1, K2, K0		DN		
Pulse number				
1024			1024	
2000			2000	
2048			2048	
2500			2500	
4096			4096	
5000			5000	
10000			10000	
Voltage supply / output stage				
9...26 VDC / output stage HTL (C) with inverted signals				CI
5 VDC / output stage TTL with inverted signals				TTL
9...26 VDC / output stage TTL with inverted signals				R

Accessories

Mounting accessories

- Spring disk coupling K 35 (shaft \varnothing 6...12 mm)
- Spring disk coupling K 50 (shaft \varnothing 11...16 mm)
- Spring disk coupling K 60 (shaft \varnothing 11...22 mm)