

HOG 75

Through hollow shaft $\varnothing 12 \dots 26$ mm
250...2500 pulses per revolution

Overview

- Through hollow shaft $\varnothing 12 \dots 26$ mm
- Optical sensing method
- Compact, robust aluminium housing
- Inside connecting terminals
- Output stage HTL or TTL
- Output stage TTL with regulator UB 9...26 VDC
- Especially high resistance to vibrations
- Hybrid bearing for extended service life (HOG 75 C)



HUBNER
BERLIN
A Baumer Brand

Technical data

Technical data - electrical ratings

Voltage supply	9...26 VDC 5 VDC ± 5 %
Consumption w/o load	≤ 100 mA
Pulses per revolution	250 ... 2500
Phase shift	$90^\circ \pm 20^\circ$
Duty cycle	40...60 %
Reference signal	Zero pulse, width 90°
Sensing method	Optical
Output frequency	≤ 120 kHz
Output signals	K1, K2, K0 + inverted
Output stages	HTL TTL/RS422
Interference immunity	EN 61000-6-2
Emitted interference	EN 61000-6-3
Approval	CE UL approval / E217823

Technical data - mechanical design

Size (flange)	$\varnothing 75$ mm
---------------	---------------------

Technical data - mechanical design

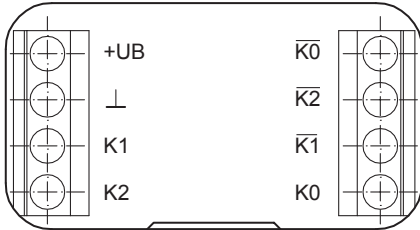
Shaft type	$\varnothing 12 \dots 26$ mm (through hollow shaft)
Admitted shaft load	≤ 80 N axial ≤ 150 N radial
Protection EN 60529	IP 56
Operating speed	≤ 10000 rpm (mechanical)
Starting torque	≤ 4 Ncm
Rotor moment of inertia	180 gcm ²
Material	Housing: aluminium Shaft: stainless steel
Operating temperature	$-30 \dots +85^\circ\text{C}$
Resistance	IEC 60068-2-6 Vibration 48 g, 10-2000 Hz IEC 60068-2-27 Shock 200 g, 6 ms
Explosion protection	II 3 G Ex ec IIC T4 Gc (gas) II 3 D Ex tc IIIC T135°C Dc (dust) (only with option ATEX)
Connection	Connecting terminal
Weight approx.	580 g

HOG 75

Through hollow shaft $\varnothing 12...26$ mm
250...2500 pulses per revolution

Terminal assignment

View A (see dimension)
Connecting terminal



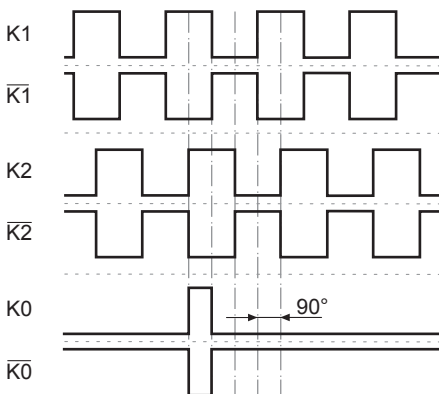
Terminal significance

+UB	Voltage supply
0V (\perp)	Ground
K1	Output signal channel 1
$\overline{K1}$	Output signal channel 1 inverted
K2	Output signal channel 2 (offset by 90° to channel 1)
$\overline{K2}$	Output signal channel 2 inverted
K0	Zero pulse (reference signal)
$\overline{K0}$	Zero pulse inverted

Output signals

HTL/TTL

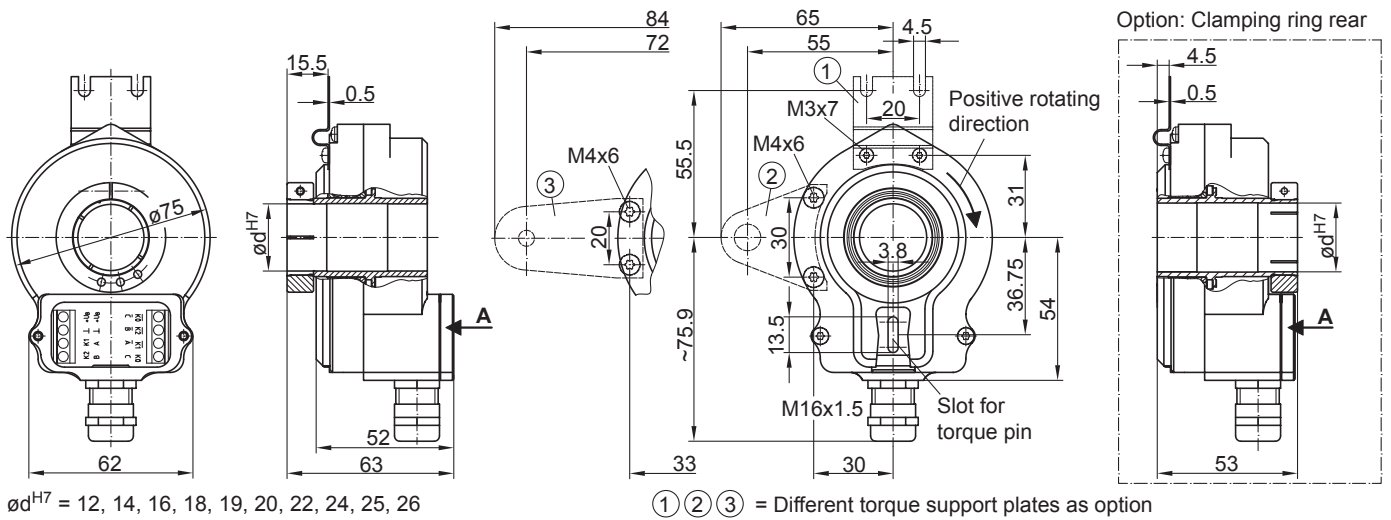
At positive rotating direction (see dimension)



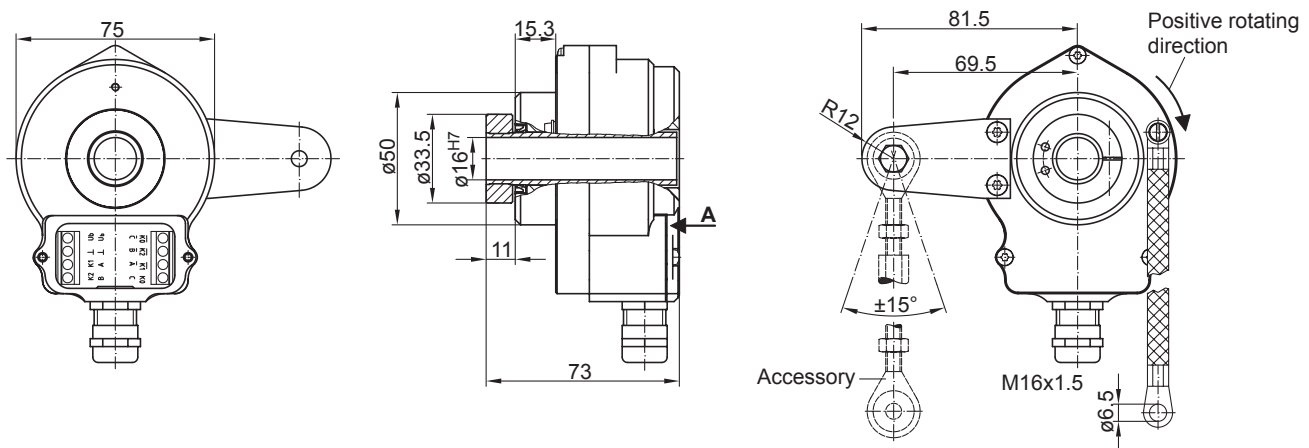
HOG 75

Through hollow shaft $\varnothing 12 \dots 26$ mm
250...2500 pulses per revolution

Dimensions



HOGS 75 - With through hollow shaft without hybrid bearings



HOGS 75 C - With through hollow shaft and hybrid bearings

HOG 75

 Through hollow shaft $\varnothing 12 \dots 26$ mm
 250...2500 pulses per revolution

Ordering reference

	HOG75	#	DN	####	###	#####	#####
Product	Incremental encoder	HOG75					
Shaft type	Standard ball bearings						
	With hybrid bearings		C				
Output signals	K1, K2, K0		DN				
Pulse number⁽¹⁾	250			250			
	256			256			
	500			500			
	512			512			
	720			720			
	1024			1024			
	1200			1200			
	1250			1250			
	2048			2048			
	2500			2500			
Voltage supply / output stage	9...26 VDC / output stage HTL (C) with inverted signals					CI	
	5 VDC / output stage TTL with inverted signals					TTL	
	9...26 VDC / output stage TTL with inverted signals					R	
Shaft diameter	Through hollow shaft $\varnothing 12$ mm						12H7
	Through hollow shaft $\varnothing 14$ mm						14H7
	Through hollow shaft $\varnothing 16$ mm						16H7
	Through hollow shaft $\varnothing 18$ mm						18H7
	Through hollow shaft $\varnothing 19$ mm						19H7
	Through hollow shaft $\varnothing 20$ mm						20H7
	Through hollow shaft $\varnothing 22$ mm						22H7
	Through hollow shaft $\varnothing 24$ mm						24H7
	Through hollow shaft $\varnothing 25$ mm						25H7
	Through hollow shaft $\varnothing 26$ mm						26H7
Mounting type	Clamping ring in front (drive side)						KLR A
	Clamping ring rear						KLR B

(1) Other pulse numbers on request.

Accessories

Mounting accessories

11043628	Torque arm M6, length 67...70 mm
11004078	Torque arm M6, length 120...130 mm (≥ 71 mm)
11002915	Torque arm M6, length 425...460 mm (≥ 131 mm)
11054917	Torque arm M6 insulated, length 67...70 mm
11072795	Torque arm M6 insulated, length 120...130 mm (≥ 71 mm)
11082677	Torque arm M6 insulated, length 425...460 mm (≥ 131 mm)