

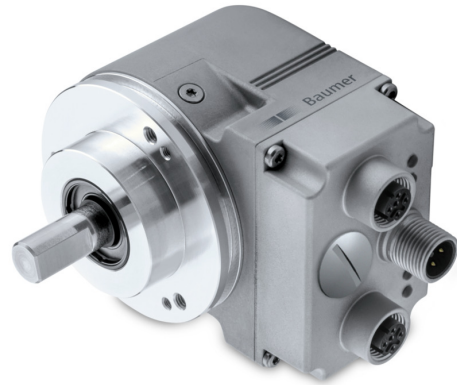
## EAL580-SC - EtherNet/IP

Solid shaft with clamping flange

Optical multiturn encoders max. 18 bit ST / 16 bit MT, EtherNet/IP

### Overview

- Absolute encoder multiturn
- Optical sensing method
- Max. resolution: singleturn 18 bit, multiturn 16 bit
- Clamping flange
- LED status display
- EtherNet/IP
- Maximum resistant against magnetic fields
- Button for Preset/Reset
- Rotary coding switch for IP address



### Technical data

#### Technical data - electrical ratings

Voltage supply	10...30 VDC
Reverse polarity protection	Yes
Consumption w/o load	≤100 mA (24 VDC)
Interface	EtherNet/IP
Function	Multiturn
Steps per revolution	≤262144 / 18 bit (adjustable)
Number of revolutions	≤65536 / 16 bit (adjustable)
Total resolution	≤ 31 bit
Absolute accuracy	±0.01 ° (ST 18 bit / MT 13 bit) ±0.025 ° (ST 13 bit / MT 16 bit)
Sensing method	Optical
Interference immunity	EN 61000-6-2
Emitted interference	EN 61000-6-4
Status indicator	4x LED integrated in housing
Approval	UL approval / E63076

#### Technical data - mechanical design

Size (flange)	ø58 mm
Shaft type	ø10 x 20 mm, solid shaft with flat
Flange	Clamping flange
Protection EN 60529	IP 54 IP 65 IP 67

#### Technical data - mechanical design

Operating speed	≤10000 rpm (mechanical) ≤6000 rpm (electric)
Starting acceleration	≤1000 U/s <sup>2</sup>
Starting torque	≤0.03 Nm (+25 °C, IP 65/IP 67) ≤0.015 Nm (+25 °C, IP 54)
Rotor moment of inertia	20 gcm <sup>2</sup>
Admitted shaft load	≤20 N axial ≤40 N radial
Material	Housing: zinc diecast Flange: aluminium
Operating temperature	-40...+85 °C (see general information)
Relative humidity	95 % non-condensing
Resistance	EN 60068-2-6 Vibration ±0.75 mm - 10-58 Hz 10 g - 58-2000 Hz EN 60068-2-27 Shock 100 g, 2 ms
Weight approx.	500 g
Connection	Flange connector 3 x M12

# EAL580-SC - EtherNet/IP

Solid shaft with clamping flange

Optical multiturn encoders max. 18 bit ST / 16 bit MT, EtherNet/IP

## General information

Self-heating interrelated to speed, protection, attachment method and ambient conditions as well electronics and supply voltage must be considered for precise thermal dimensioning. Self-heating is supposed to approximate 4 K (IP 54 protection) respectively 6 K (IP 65 / IP 67 protection) per 1000 rpm. Operating the encoder close to the maximum limits requires measuring the real prevailing temperature at the encoder flange.

## Terminal assignment

### Voltage supply

Pin	Assigned	Significance
1	UB	Voltage supply
2	d.u.	Do not connect
3	GND	Ground
4	d.u.	Do not connect



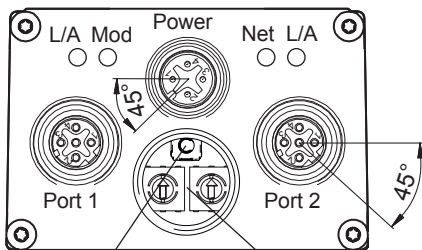
1 x flange connector M12 (male), A-coded

### EtherNet/IP (data line)

Pin	Assigned	Significance
1	TxD+	Transmission data+
2	RxD+	Receiving data+
3	TxD-	Transmission data-
4	RxD-	Receiving data-



2 x flange connector M12 (female), D-coded



Preset/Reset IP address (192.168.1.xx)

## EtherNet/IP features

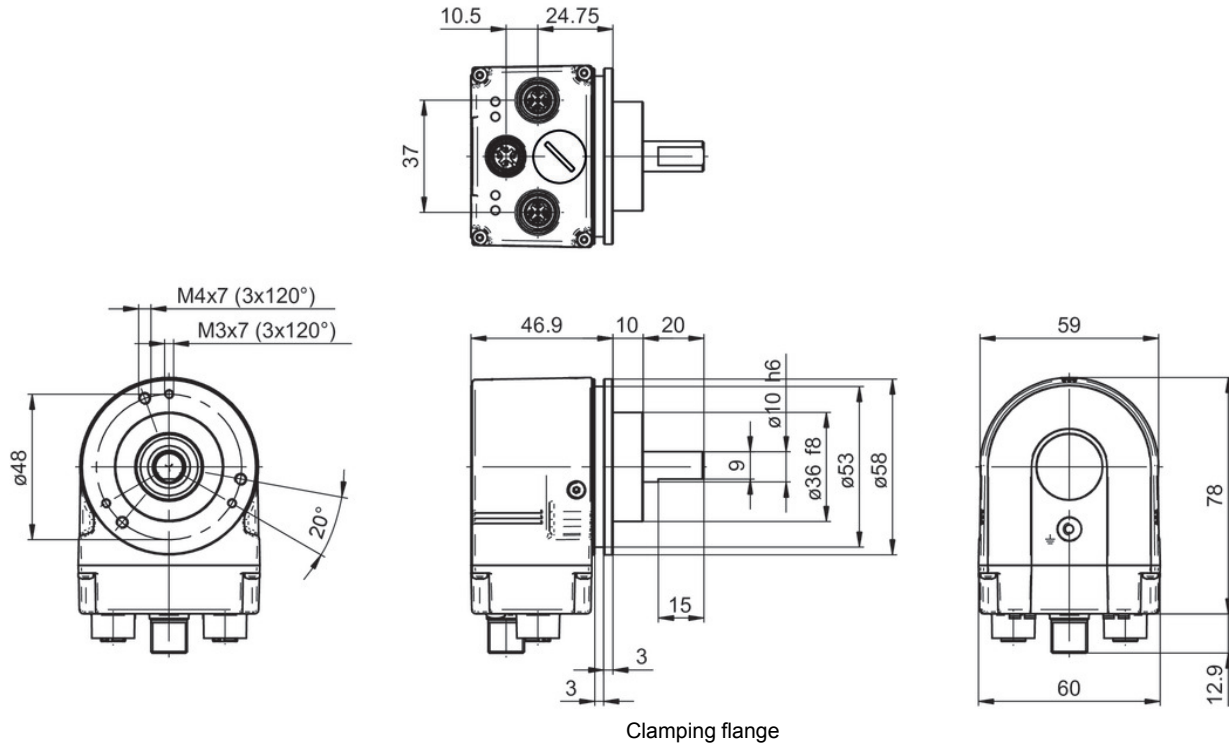
Bus protocol	EtherNet/IP
Device profile	CIP Nov 2016, 22 <sub>hex</sub> Encoder
Cycle time	1 ms
Features	<ul style="list-style-type: none"> <li>- Gear factor (round shaft) and endless loop mode</li> <li>- Plausibility check of the adjustable parameters</li> <li>- Comprehensive diagnostic functions</li> <li>- Address Conflict Detection</li> <li>- Device Level Ring</li> <li>- Multiple simultaneous IO connections</li> </ul>
LED status indicator	2x Link/Activity, Module Status, Network Status

# EAL580-SC - EtherNet/IP

Solid shaft with clamping flange

Optical multiturn encoders max. 18 bit ST / 16 bit MT, EtherNet/IP

## Dimensions



# EAL580-SC - EtherNet/IP

Solid shaft with clamping flange

Optical multiturn encoders max. 18 bit ST / 16 bit MT, EtherNet/IP

**Ordering reference**

	<b>EAL580</b>	<b>-</b>	<b>S</b>	<b>C</b>	<b>0</b>	<b>.</b>	<b>#</b>	<b>W</b>	<b>EN</b>	<b>.</b>	<b>##</b>	<b>##</b>	<b>0</b>	<b>.</b>	<b>A</b>
<b>Product</b>	EAL580														
<b>Shaft type</b>	Solid shaft		S												
<b>Flange (shaft)</b>	Clamping flange, centering collar ø36 x 10 mm, pitch circle diameter 48 mm - 3xM3/3xM4			C											
<b>Shaft</b>	ø10 x 20 mm, with flat				0										
<b>Protection class</b>	IP 54							4							
	IP 65							5							
	IP 67							7							
<b>Connection</b>	Flange socket radial, 2 x M12, 4-pin, female contacts, D-coded, 1 x M12, 4-pin, male contacts, A-coded								W						
<b>Voltage supply / interface</b>	10...30 VDC, EtherNet/IP								EN						
<b>Resolution Singleturn</b>	13 Bit												13		
	18 Bit												18		
<b>Resolution Multiturn</b>	13 Bit													13	
	16 Bit													16	
<b>Resolution supplement</b>	No option														0
<b>Operating temperature</b>	-40...+85 °C														A

**Accessories**
**Mounting accessories**

10117669	Eccentric fixing, single (Z 119.006)
11177167	Self-tapping grounding screw (Z 119.100)
10141132	Spring washer coupling D1=6 / D2=10 (Z 121.C01)
10141133	Spring washer coupling D1=10 / D2=10 (Z 121.C03)